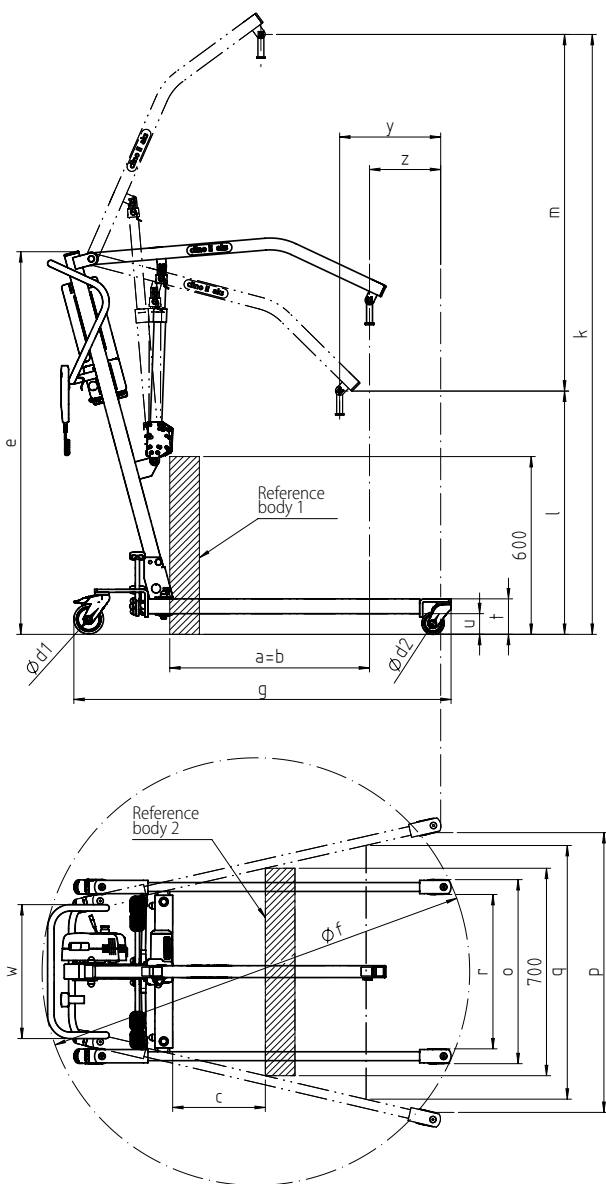


Technische Daten

	aks-foldy® aks-foldy®e	aks-mini foldy® aks-mini foldy®e
Total weight (without spreader bar and sling)	38 / 39.5 kg	36 / 37.5 kg
Maximum load	150 kg	150 kg
Lift speed at full load (time for one lift process)	80 s	80 s
Power, lift and lowering pro- cesses at full battery capacity, approx.	40	40
Input voltage	24 V AC 50 Hz	24 V AC 50 Hz
Protection class	II	II
Type of protection	IP X4	IP X4

Basic dimensions in accordance with DIN EN 10535

a	Maximum range for 600 mm reference height	675	495
b	Maximum range from the chassis	675	532
c	Range from the chassis when spreading the leg supports to 700 mm	313	313
d1	Castor diameter, rear	100	100
d2	Castor diameter, front	75	75
e	Overall height	1300	1195
f	Turning diameter	1443	1234
g	Chassis length	1291	1081
k	Max. attachment height	2015	1749
l	Min. attachment height	811	739
m	Lifting range	1204	1010
o	Min. outer width	643	643
p	Max. inner width	918	825
q	Inner width at maximum range of the attachment point	866	801
r	Min. inner width	499	499
t	Height of the chassis	110	110
u	Clearance of the chassis	60	60
w	Handle width	452	452
x	Minimum distance from the wall to the attachment point at its greatest height (leg supports spread)	611	510
y	Minimum distance from the wall to the attachment point at its lowest height (leg supports spread)	345	269
z	Minimum distance from the wall to the attachment point at maximum range (leg supports spread)	234	172



aks-micro foldy®	aks-clino® II	aks-dualo® standard hoist	aks-dualo® active hoist	aks-mini dualo® standard hoist	aks-mini dualo® active hoist	aks-torneo® II	aks-foldo®	aks-goliath® *
34 kg	38 kg	39.3 kg	39.3 kg	38.5 kg	38.5 kg	44.0 kg	40.6 kg	53 kg
130 kg	150 kg	150 kg	150 kg	150 kg	150 kg	150 kg	130 kg	250 kg
80 s	40 s	80 s	80 s	80 s	80 s	40 s	82 s	78 s
40	25	40	40	40	40	40	40	40
24 V AC 50 Hz	24 V AC 50 Hz	24 V AC 50 Hz	24 V AC 50 Hz	24 V AC 50 Hz	24 V AC 50 Hz	24 V AC 50 Hz	24 V AC 50 Hz	24 V DC
II	II	II	II	II	II	II	II	II
IPX4	IP X4	IP X4	IP X4	IP X4	IP X4	IP X4	-	IP X5
451	675	675	27	476	56	216	614	660
494	675	675	483	513	512	264	651	630
442	313	313	313	313	313	442	313	105
100	100	100	100	100	100	100	100	100
75	75	75	75	75	75	75	75	100
1207	1290	1283	1283	1195	1195	1136	1322	1310
1162	1443	1538	1538	1317	1317	1263	1442	1525
1018	1273	1291	1291	1081	1081	999	1313	1290
1713	2025	2019	1990	1739	1846	1183	1865	1970
561	821	820	1183	759	1032	898	793	585
1152	1204	1198	807	977	814	285	1072	1385
572	621	643	643	643	643	550	671	750
733	944	919	919	825	825	771	892	1035
728	866	866	778	792	792	613	866	970
428	520	499	499	499	499	450	471	595
110	120	110	110	110	110	120	140	130
60	70	60	60	60	60	70	60	50
452	452	452	452	452	452	452	452	452
571	607	615	987	527	792	766	504	565
349	341	339	427	278	195	402	434	570
150	230	232	424	189	190	402	263	265

* See bariatric range for product description